

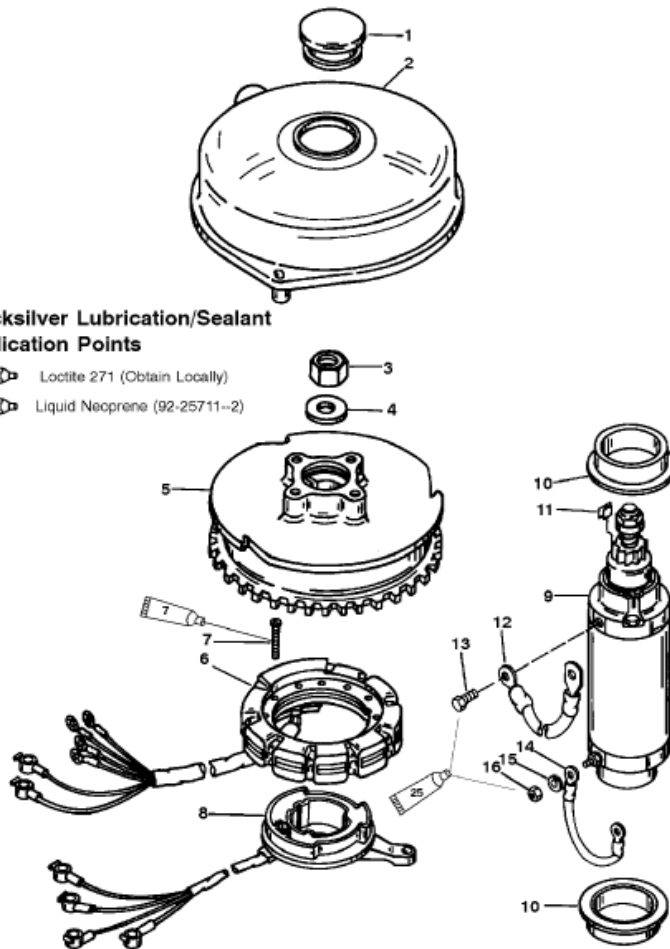


**Quicksilver Lubrication/Sealant
 Application Points**

-  Loctite 271 (Obtain Locally)
-  Liquid Neoprene (92-25711--2)



Parts List						
Ref	Class	Part	Description	Qty	Comment	Footnote
1	19	45307	FLYWHEEL PLUG	1		
2		812777T 1	COVER ASSEMBLY	1		
3	11	42979	NUT	1		
4	12	68229	WASHER	1		
5	261	9008A62	FLYWHEEL ASSEMBLY	1		
6	398	9710A45	STATOR	1		
7	10	40073 25	SCREW	4		
8		99021A 6	TRIGGER ASSEMBLY	1		
9	50	66015 3	STARTER MOTOR	1		
10		56703	COLLAR	2		
11		57247	RUBBER STOP	2		
12	84	93388A 1	WIRE (BLACK)	1		
13	10	69035	SCREW	1		
14	84	93388A 6	WIRE (BLACK)	1		
15	13	26992	LOCKWASHER	1		
16	11	64015	NUT	1		